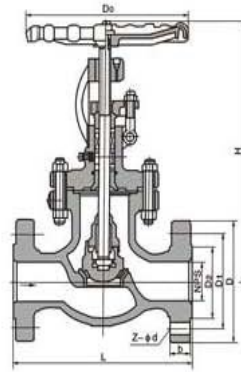


Deseen International

Cast steel valve and Stainless valve



产品执行标准 Production enforce standard

设计与制造 Desing And Manufacture	结构长度 Face to face/ End to end	法兰尺寸 Flange Dimension	对焊连接尺寸 Butt welding dimension	压力 - 温度 Pressure Temperature Lating	试验 - 检验 Inspection and test
ANSI B16.34、BS1873	ANSI B16.10	ANSI B16.5	ANSI B16.25	ANSI B16.34	API 598

产品性能规范 Chief property and specification

公称压力(Lb) Nominal Pressore	强度试验 Shell test		水密封试验 Water seal test		气密封试验 Air seal test	
	MPa	Lbf/in ²	MPa	Lbf/in ²	MPa	Lbf/in ²
150	3.1	450	2.2	315	0.5~0.7	60~100
300	7.8	1125	5.6	815		
600	15.3	2225	11.2	1630		
900	23.1	3350	16.8	2440		
1500	38.4	5575	28.1	4080		
2500	64.6	9367	47.4	6873		

主要零件材料 Material for main parts

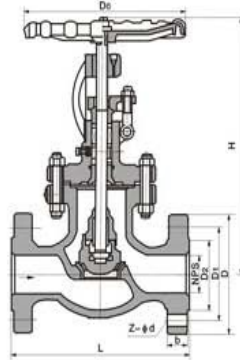
体、盖、瓣 Body Cover disc	阀杆 Stem	密封面 Sealing Face	垫片(环) Sealing shim	填料 Packing	工作温度(℃) Working temperature	适用介质 Suitable medium
WCB	2Cr13	13Cr STL 本体材料 With bodymater rial PTFE 尼龙 Nylon	增强柔性石墨 13Cr/柔性石墨 Enhanced Flexible 1Cr13/Flexible graphite SFB-2 08软钢 08Soft steel F304 F316 F304L F316L	柔性石墨 增强柔性石墨 Flesible graphite enhanced flexible graphite SFB/260 SFP/260 PTFE	≤425	水、蒸汽、油品 Water Steam Petroleum Products
WC1	38CrMoAl 25Cr2Mov				≤450	
WC6					≤540	
WC9					≤570	
C5 C12					≤540	
CF8					F304	
CF3	F316					
CF8M	F304L					
CF3M	F316L					

Deseen International

Cast steel valve and Stainless valve



Class-150Lb



主要外形和连接尺寸 Main external and connection dimension 单位Unit: mm

磅级 Class	规格 Size	L	D	D1	D2	b	n-φd	D0	H	WT (Kg)	
150Lb	1/2"	mm	108	89	60.5	35	12	4-15	125	169	3.8
		in	4.25	3.5	2.38	1.38	0.47	4-0.59	4.92	6.65	
	3/4"	mm	117	98	70	43	12	4-15	125	180	4.2
		in	4.61	3.86	2.76	1.69	0.47	4-0.59	4.92	7.08	
	1"	mm	127	108	79.5	51	12	4-15	125	190	8
		in	5	4.25	3.13	2	0.47	4-0.59	4.92	7.48	
	1 1/2"	mm	165	127	98.5	73	14.3	4-16	180	347	13
		in	6.5	5	3.88	2.87	0.56	4-0.62	7.09	13.66	
	2"	mm	203	152	120.5	92	15.9	4-19	180	356	21
		in	8.00	6.00	4.75	3.62	0.625	4-0.75	7.09	14	
	2 1/2"	mm	216	178	139.5	105	17.5	4-19	240	381	30
		in	8.5	7	5.50	4.12	0.69	4-0.75	9.45	15.00	
	3"	mm	241	190	152.4	127	19.1	4-19	280	13	41
		in	9.5	7.50	6	5	0.75	4-0.75	11.02	16.25	
	4"	mm	292	229	190.5	157	24	8-19	280	500	64
		in	11.50	9.00	7.5	6.19	0.94	8-0.75	11.02	19.68	
6"	mm	406	279	241.5	216	25.4	8-22	360	656	113	
	in	16	11.0	9.50	8.5	1.00	8-0.88	14.17	22.25		
8"	mm	495	343	298.5	270	29	8-22	450	660	190	
	in	19.5	13.5	11.75	10.62	1.12	8-0.88	17.75	26.00		

Deseen International

Cast steel valve and Stainless valve



Class300Lb ~ 600Lb

主要外形和连接尺寸 Main external and connection dimension 单位Unit: mm

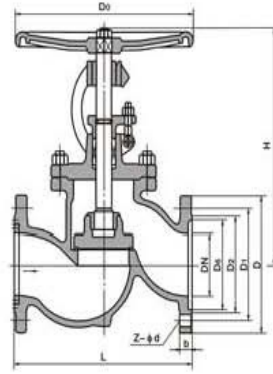
磅级 Class	规格 Size	L	D	D ₁	D ₂	b	n-φd	D ₀	H	WT (Kg)	
300Lb	1/2"	mm	152	95	66.5	35	15	4-15	125	190	4.5
		in	5.98	3.74	2.62	1.38	0.95	4-0.59	4.92	7.48	
	3/4"	mm	178	117	82.5	43	16	4-19	125	212	8
		in	7	4.61	3.25	1.69	0.62	4-0.75	4.92	8.35	
	1"	mm	203	124	89	51	18	4-19	160	231	10
		in	8	4.9	3.50	2	0.71	4-0.75	6.2	9.1	
	1 1/2"	mm	229	156	114.5	73	20.7	4-22	200	391	18.5
		in	9	6.12	4.51	2.87	0.81	4-0.87	8	15.43	
	2"	mm	267	165	127	92	22	8-19	200	406	37
		in	105	6.5	5	3.62	0.88	8-0.75	7.87	16.00	
	2 1/2"	mm	292	190	149	105	25	8-22	240	457	50
		in	11.5	7.50	5.88	4.12	1.00	8-0.88	9.45	18.00	
	3"	mm	318	210	168.5	127	29	8-22	280	470	61
		in	1250	8.25	6.62	5	1.12	8-0.88	11.02	18.50	
	4"	mm	356	254	200	157	32	8-22	320	590	99
		in	14.00	10.00	7.88	6.19	1.25	8-0.88	12.60	23.23	
6"	mm	444	318	270	216	37	12-22	500	711	176	
	in	17.50	12.50	10.62	8.5	1.44	12-0.88	19.68	28.00		
8"	mm	559	381	330	270	41	12-25	500	750	333	
	in	22.0	15	13.00	10.62	1.62	12-100	19.68	29.50		

主要外形和连接尺寸 Main external and connection dimension 单位Unit: mm

磅级 Class	规格 Size	L	D	D ₁	D ₂	b	n-φd	D ₀	H	WT (Kg)	
600Lb	1/2"	mm	165	95	66.5	35	15	4-15	160	285	6
		in	6.5	3.74	2.62	1.38	0.59	4-0.95	6.2	11.22	
	3/4"	mm	190	117.5	82.5	43	16	4-19	160	285	9
		in	7.48	4.61	3.25	1.69	0.62	4-0.75	6.2	11.22	
	1"	mm	216	124	89	51	18	4-19	160	313	12
		in	8.5	4.9	3.5	2	0.71	4-0.75	6.2	12.32	
	1 1/2"	mm	241	156	114.5	73	23	4-22	240	365	22
		in	9.5	6.12	4.51	2.87	0.91	4-0.88	9.45	14.17	
	2"	mm	292	165	127	92	25	8-19	240	444	39
		in	11.50	6.50	5.00	3.62	1.00	8-0.75	9.45	17.50	
	2 1/2"	mm	330	190	149	105	29	8-22	240	483	50
		in	13	7.50	5.88	4.12	1.12	8-0.08	9.45	19	
	3"	mm	356	210	168	127	32	8-22	280	533	68
		in	14.00	8.25	6.62	5	1.25	8-0.88	11.02	21	
	4"	mm	406	273	216	157	38.1	8-25	360	622	120
		in	16.00	10.75	8.5	6.19	1.5	8-1.00	14.17	24.50	
6"	mm	495	356	292	216	47.7	12-29	500	800	220	
	in	19.50	14	11.5	8.5	1.88	12-1.14	19.68	31.50		
8"	mm	597	419	349	270	55.6	12-32	550	927	450	
	in	23.50	16.5	13.75	10.62	2.19	12-1.25	21.65	36.50		

Deseen International

Cast steel valve and Stainless valve



产品执行标准 Production enforce standard

产品规范 Product Specification	设计规范 Design Spec	结构长度 Face to Face	连接法兰 Flange End	试验与检验 Test & Check	压力-温度 Pressure-Temp.	产品标识 Marking	供货规范 Supply
	GB/T 12235	GB/T 12221	JB/T 79	JB/T 9092	GB 9131	GB/T 12220	JB/T 7928

产品性能规范 Chief property and specification

1、试验压力 Test pressure

公称压力(Lb) Nominal Pressore	1.6	2.5	4.0	6.4	10.0	16.0
壳体强度试验 Shell strength test	2.4	3.8	6.0	9.6	15	24
上密封试验 Back seal test	1.8	2.8	4.4	7.0	11	18
密封试验 Seal test	1.8	2.8	4.4	7.0	11	18

2、适用介质及适用温度 Applicable medium & Applicable temperature

产品类型 Product type	适用介质 Applicable medium	适用温度℃ Applicable temperature
J41 ^H -C型 J941 ^H -C型	水、油品、蒸汽 Water, oil, steam	≤425 ≤450
J41W-P型 J941W-P型	硝酸类 Nitric acid	≤200
J41W-R型	醋酸类 Acetic acid	≤200
J41Y-I型 J941Y-I型	水、油品、蒸汽 Water, oil, steam	≤550

主要零件材料 Material for main parts

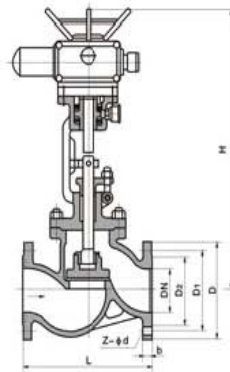
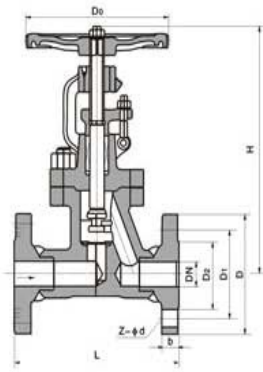
产品类型 Product type	零件名称 Part name							
	阀体、阀盖 Body bonnet	阀杆 Stem	阀瓣 Sealing face	密封面 sealing face	阀杆螺母 Yoke nut	填料 Packing	紧固件 Fastener	手轮 Hand wheel
J41 ^H -C型 J941 ^H -C型	25.WCB	铸不锈钢 Cr.Stainless steel	2Cr13 25	H: 铸不锈钢 Y: 钴基硬质合金 Co-based carbide alloy steel	铝青铜 Al bronze	柔性石墨 Flexible graphite	优质碳钢 High-grade carbon steel	可锻铸铁 Foraeable cast-iron
J41W-P型 J941W-P型	铬镍钛钢 Cr,Ni, Ti steel	铬镍钛钢 Cr,Ni,Ti steel	铬镍钛钢 Cr,Ni,Ti steel	铬镍钛钢 Cr,Ni,Ti steel	铝青铜 Al bronze	柔性石墨 Flexible graphite	不锈钢 Stainless steel	可锻铸铁 Foraeable cast-iron
J41W-R型	铬镍钼钛钢 Cr,Ni,Mo,Ti steel	铬镍钼钛钢 Cr,Ni,Mo,Ti steel	铬镍钼钛钢 Cr,Ni,Mo,Ti steel	铬镍钼钛钢 Cr,Ni,Mo,Ti steel	铝青铜 Al bronze	柔性石墨 Flexible graphite	不锈钢 Stainless steel	可锻铸铁 Foraeable cast-iron
J41Y-I型 J941Y-I型	铬钼钢 Cr,Mo steel	铬钼钢 Cr,Mo steel	合金钢 Alloy steel	钴基硬质合金 Co-based carbide alloy steel	铝青铜 Al bronze	柔性石墨 Flexible graphite	合金钢 Alloy steel	可锻铸铁 Foraeable cast-iron

Deseen International

Cast steel valve and Stainless valve



J41W/Y-16P/R/I



主要外形和连接尺寸 Main external and connection dimension

单位Unit: mm

公称通径 DN	主要外形尺寸和连接尺寸(mm) Main external and connecting dimensions									WT(Kg)
	L	D	D ₁	D ₂	b	f	Z-d	H	D ₀	
J41 ^H _B Y-16C J41W-16P J41W-16R J41Y-16I										
10	130	90	60	40	14	2	4-14	198	120	4.7
15	130	95	65	45	16	2	4-14	218	120	5.2
20	150	105	75	55	16	2	4-14	258	140	7.1
25	160	115	85	65	16	2	4-14	275	160	7.4
32	180	135	100	78	18	2	4-18	280	180	8.5
40	200	145	110	85	18	3	4-18	330	200	12.5
50	230	160	125	100	18	3	4-18	350	240	20
65	290	180	145	120	18	3	4-18	400	280	25
80	310	195	160	135	20	3	8-18	355	280	35
100	350	215	180	155	22	3	8-18	415	320	50
125	400	245	210	185	24	3	8-18	460	360	75
150	480	280	240	210	24	3	8-23	510	400	100
200	600	335	295	265	26	3	12-23	710	400	210
250	730	405	355	320	30	3	12-23	786	450	446
300	850	460	410	375	30	3	12-23	925	500	648

Deseen International

Cast steel valve and Stainless valve



J41W/H/Y-25-40P/R/I

主要外形和连接尺寸 Main external and connection dimension 单位Unit: mm

公称 口径 DN	J41 ^H / _B -25 J41W-25P J41W-25R J41Y-25I J941 ^H / _Y -25 J941W-25P J941W-25R J941Y-25I											WT(Kg)		
	主要外形尺寸和连接尺寸(mm) Main external and connecting dimensions											电动装置 Electric device	手动 Hand	电动 Electric
	L	D	D ₁	D ₂	b	f	Z-d	H _手	H _电	D ₀				
10	130	90	60	40	16	2	4-14	198	-	120	-	4.9	-	
15	130	95	65	45	16	2	4-14	218	-	120	-	5.4	-	
20	150	105	75	55	16	2	4-14	258	-	140	-	7	-	
25	160	115	85	65	16	2	4-14	275	-	160	-	7.4	-	
32	180	135	100	78	18	2	4-18	280	-	180	-	8.5	-	
40	200	145	110	85	18	3	4-18	330	-	200	-	12.5	-	
50	230	160	125	100	20	3	4-18	350	645	240	DZW101	16	50	
65	290	180	145	120	22	3	8-18	400	690	280	DZW101	25	62	
80	310	195	160	135	22	3	8-18	355	715	280	DZW151	30	67	
100	350	230	190	160	24	3	8-23	415	770	320	DZW20	34.5	73	
125	400	270	220	188	28	3	8-25	460	780	360	DZW30	89	127	
150	480	300	250	218	30	3	8-25	510	875	400	DZW45	98	215	
200	600	360	310	278	34	3	12-25	710	967	400	DZW60	180	322	
250	730	425	370	332	36	3	12-30	786	-	450	-	446	-	
300	850	485	430	390	40	4	12-30	925	-	500	-	654	-	

公称 口径 DN	J41 ^H / _Y -40 J41W-40P J41W-40R J41Y-40I J941 ^H / _Y -40 J941W-40P J941W-40R J941Y-40I											WT(Kg)		
	主要外形尺寸和连接尺寸(mm) Main external and connecting dimensions											电动装置 Electric device	手动 Hand	电动 Electric
	L	D	D ₁	D ₂	b	f	f ₂	Z-d	H _手	H _电	D ₀			
10	130	90	60	40	16	2	4	4-14	198	-	120	-	4.9	-
15	130	95	65	45	16	2	4	4-14	233	-	120	-	5.4	-
20	150	105	75	55	16	2	4	4-14	275	-	140	-	7	-
25	160	115	85	65	16	2	4	4-14	285	-	160	-	8.8	-
32	180	135	100	78	18	2	4	4-18	302	-	180	-	11.8	-
40	200	145	110	85	18	3	4	4-18	355	-	200	-	16.5	-
50	230	160	125	100	20	3	4	4-18	373	645	240	DZW101	24	61
65	290	180	145	120	22	3	4	8-18	408	690	280	DZW101	33	75
80	310	195	160	135	22	3	4	8-18	436	715	320	DZW201	44	84
100	350	230	190	160	24	3	4.5	8-23	480	770	360	DZW301	60	101
125	400	270	220	188	28	3	4.5	8-25	558	782	400	DZW45	89	207
150	480	300	250	218	30	3	4.5	8-25	611	875	400	DZW60	98	226
200	600	375	320	282	38	3	4.5	12-30	720	1160	400	DZW901	190	339

Deseen International

Cast steel valve and Stainless valve



J41/941 W/Y-64-160/I

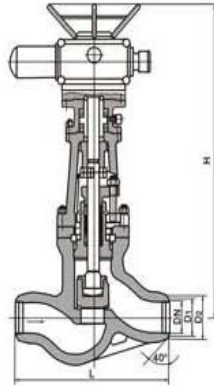
主要外形和连接尺寸 Main external and connection dimension

单位Unit: mm

公称直径 DN	主要外形尺寸和连接尺寸(mm) Main external and connecting dimensions											电动装置 Electric dewice	WT(Kg)	
	L	D	D ₁	D ₂	b	f	f ₂	Z-d	H _手	H _电	D ₀		手动 Hand	电动 Electric
J41^H_Y-64 J941^H_Y-64 J41Y-64I J941Y-64I														
10	170	100	70	50	18	2	4	4-14	198	-	120	-	5.7	-
15	170	105	75	55	18	2	4	4-14	195	-	140	-	10	-
20	190	125	90	68	20	2	4	4-18	228	-	160	-	13	-
25	210	135	100	78	22	2	4	4-18	275	-	180	-	14.5	-
32	230	150	110	82	24	2	4	4-23	325	-	200	-	19	-
40	260	165	125	95	24	3	4	4-23	360	-	240	-	25	-
50	300	175	135	105	26	3	4	8-23	410	710	280	DZW10	35	64
65	340	200	160	130	28	3	4	8-23	450	760	320	DZW15	48	77
80	380	210	170	140	30	3	4	8-23	485	785	360	DZW30	56	88
100	430	250	200	168	32	3	4	8-25	537	837	400	DZW45	125	171
125	500	295	240	202	36	3	4	8-30	631	-	400	-	131	-
150	550	340	280	240	38	3	4	8-34	646	-	450	-	157	-
200	650	405	345	300	44	3	4	12-34	813	-	500	-	283	-
J41^H-100 J941^H_Y-100 J41Y-100I J941Y-100I														
10	210	100	70	50	20	2	4	4-14	198	-	120	-	6	-
15	210	105	75	55	20	2	4	4-14	202	-	140	-	11	-
20	230	125	90	68	22	2	4	4-18	228	-	160	-	13.2	-
25	230	135	100	78	24	2	4	4-18	250	-	180	-	14	-
32	260	150	110	82	24	2	4	4-23	326	-	220	-	15	-
40	260	165	125	95	26	3	4	4-23	359	-	240	-	29	-
50	300	195	145	112	28	3	4	4-25	414	710	280	DZW15	49	82
65	340	220	170	138	32	3	4	8-25	434	750	320	DZW20I	65	104
80	380	230	180	148	34	3	4	8-25	547	785	400	DZW30	95	138
100	430	265	210	172	38	3	4.5	8-30	621	837	450	DZW45	115	243
125	500	310	250	210	42	3	4.5	8-34	732	-	450	-	149	-
150	550	350	290	250	46	3	4.5	12-34	840	-	500	-	310	-
200	650	430	360	312	54	3	4.5	12-41	925	-	550	-	590	-
J41^H_Y-160														
15	170	110	75	52	24	2	4	4-18	148	-	140	-	12.2	-
20	190	130	90	65	26	2	4	4-23	156	-	160	-	15	-
25	210	140	100	72	28	2	4	4-23	125	-	180	-	17	-
32	230	165	115	85	30	2	4	4-25	200	-	200	-	21.4	-
40	260	175	125	92	32	3	4	4-27	231	-	240	-	32	-
50	300	215	165	132	36	3	4	8-25	262	-	250	-	52	-
65	340	245	190	152	44	3	4	8-30	303	-	320	-	69	-
80	380	260	205	168	46	3	4	8-30	341	-	400	-	98	-
100	430	300	240	200	48	3	4.5	8-34	485	-	450	-	119	-

Deseen International

Cast steel valve and Stainless valve



产品执行标准 Production enforce standard

产品规范 Product Specification	设计规范 Design Spec	结构长度 Face to Face	连接法兰 Flange End	试验与检验 Test & Check	压力-温度 Pressure-Temp.	产品标识 Marking	供货规范 Supply
	JB/T 3595/E101	E101	78DG	E101	JB/T 3595	GB/T 12220	E101

产品性能规范 Chief property and specification

产品型号 Product type	公称压力 PN(MPa) Nominal pressure	试验压力(MPa)Test pressure		工作压力(MPa) Working pressure			工作温度(°C) Working temperature	适用介质 Applicable medium
		壳体强度 Shell strength test	密封 Sealing	P _{st}	P _{sh}	P _{sr}		
J61 ^H -100	10	15	11	/	/	/	≤450	水、蒸汽、油品 Water, steam, oil goods
J61 ^H -200	20	30	22	/	/	/		
J61 ^H -250	25	38	28	/	/	/		
J61 ^H -320	32	48	36	/	/	/		
J61Y-P _{st} /100V	/	30	22	10	/	/	≤540	蒸汽 Steam
J61Y-P _{sh} /140V	/	38	28	14	/	/		
J61Y-P _{sr} /170V	/	48	36	17	/	/		
J61Y-P _{st} /100V	/	38	28	/	10	/	≤555	
J61Y-P _{sh} /140V	/	48	36	/	14	/		
J61Y-P _{sr} /170V	/	53	39	/	17	/		
J61Y-P _{st} /100V	/	48	36	/	/	10	≤570	
J61Y-P _{sh} /140V	/	55	40	/	/	14		
J61Y-P _{sr} /170V	/	60	44	/	/	17		

主要零件材料 Material for main parts

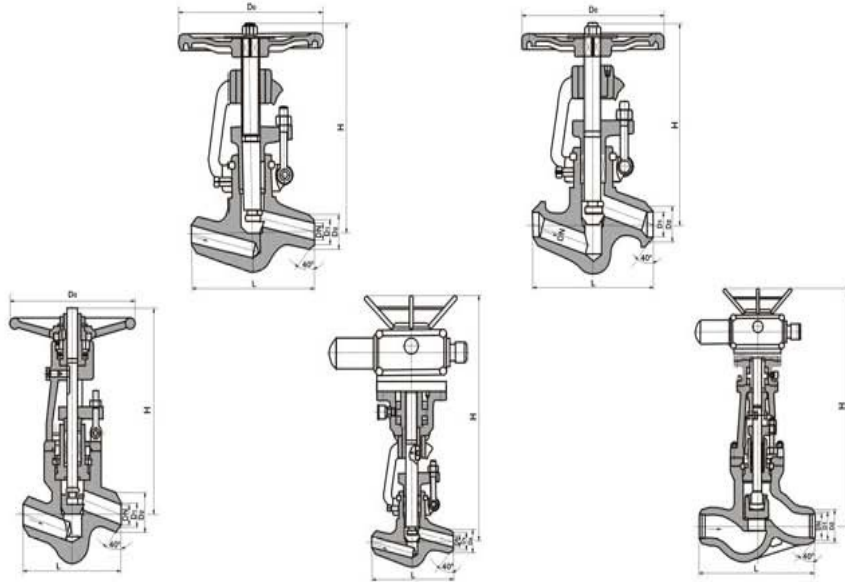
零件名称 Part name	零部件材料 Part Material		
阀体 Body	WCB	WC6	WC9
阀盖 Bonnet	25	12Cr1Mo1VA	
闸板 Wedge	25	20Cr1Mo1VA	20Cr1Mo1VA
阀杆 Stem	1Cr17Ni2	20Cr1Mo1VA	
阀座 Seat	25	12Cr1Mo1VA	
密封副 Hard Trim	STL+STL	STL+STL	STL+STL
填料 Packing	柔性石墨/Flexible Graphite		
垫片 Gasket	S软钢/S soft-iron/flexible graphite	S软钢 S Soft-Iron	F软钢 F Soft-Iron
适用温度 Suitable temp.	-29-425℃		-29-540℃
适用介质 Suitable medium	水、油品、蒸汽 Water, Oil, Steam		蒸汽、油品 Steam, Oil

Deseen International

Cast steel valve and Stainless valve



J61(H/Y)/J961(H/Y)-200-320、(P54100V-P54195V)



主要外形和连接尺寸 Main external and connection dimension 单位Unit: mm

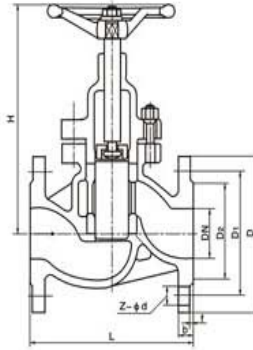
公称通径 DN	主要外形尺寸和连接尺寸(mm) Main external and connecting dimensions				WT(Kg)
	L	D ₁	D ₂	H	
J61H-200 J61Y-200 J961H-200 J961Y-200					
20	170	22	42	480	38
25	170	27	42	520	41
32	200	34	52	728	58
50	350	53	76	728	89
80	500	86	108	798	135
100	600	107	161	890	190
J61Y-250 J61Y-320 J961H-250 J961Y-320					
20	150	25	40	576	47
25	170	27	42	585	49
32	180	32	55	606	52
50	250	50	83	722	73
80	470	80	105	895	225
100	600	100	142	1179	296
J61Y-P_n100V J61Y-P_n140V J961Y-P_n100V J961Y-P_n140V					
20	170	22	42	480	38
25	170	27	42	520	41
32	200	34	52	728	58
50	350	53	76	728	89
80	500	86	108	798	135
100	600	107	161	890	190
J61Y-P_n170V J61Y-P_n195V J961Y-P_n170V J961Y-P_n195V					
20	150	25	40	576	47
25	170	27	42	585	49
32	180	32	55	606	52
50	250	50	83	722	73
80	470	80	105	895	225
100	600	100	142	1179	296

Deseen International

Cast steel valve and Stainless valve



U41S U41F U41SF U41SM U41X US41S



产品性能规范 Chief property and specification

公称压力PN Nominal pressure	1.6	2.5	4.0	6.4	10.0	MPa	低压气密封试验压力 Low pressure seat test	0.5 - 0.7		
壳体试验压力 Shell test pressure	2.4	3.75	6.0	9.6	15.0		适用介质 Applicable medium	C 水、油品、蒸汽 Water, oil, steam	P 硝酸类 Nitric acid	R 醋酸类 Acetic acid
高压密封试验压力 High pressure seat test	1.76	2.75	4.4	7.04	11.0		适用温度 Applicable temperature	≤425℃ ≤200℃		

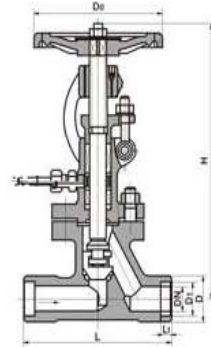
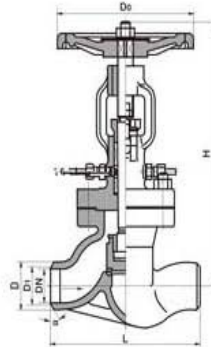
主要外形和连接尺寸 Main external and connection dimension

单位Unit: mm

PN	DN	L	H	D	D1	D2	b	f	z-φd	重量WT(kg)	
1.6 MPa	15	130	128	95	65	45	14	2	4-14	3	
	20	150	165	105	75	55	16	2	4-14	5	
	25	160	190	115	85	65	16	2	4-14	7	
	32	180	216	135	100	78	18	2	4-18	8	
	40	200	236	245	110	85	18	3	4-18	12	
	50	230	250	160	125	100	20	3	4-18	16	
	65	290	255	180	145	120	20	3	4-18	22	
	80	310	255	195	160	135	22	3	8-18	27	
	100	350	259	215	180	155	24	3	8-18	40	
	125	400	352	245	210	185	26	3	8-18	72	
2.5 MPa	15	130	133	95	65	45	16	2	4-14	4	
	20	150	178	105	75	55	16	2	4-14	6	
	25	160	180	115	85	65	16	2	4-14	7	
	32	180	195	135	100	78	18	2	4-18	10	
	40	200	220	145	110	85	18	3	4-18	13	
	50	230	250	160	125	100	20	3	4-18	17	
	65	290	272	180	145	120	22	3	8-18	24	
	80	310	275	195	160	135	22	3	8-18	33	
	100	350	312	230	190	160	24	3	8-23	49	
	125	400	365	270	220	188	28	3	8-25	87	
4.0 MPa	150	480	410	300	250	218	30	3	8-25	115	
	200	600	450	360/375	310/320	278/282	34/38	3	12-25/30	210	
	6.4 MPa	15	170	145	105	75	55	18	2	4-14	5
		20	190	195	125	90	68	20	2	4-18	7
		25	210	202	135	100	78	22	2	4-18	8
		32	230	226	150	110	82	24	2	4-23	12
		40	260	239	165	125	95	24	3	4-23	15
		50	300	265	175	135	105	26	3	4-23	19
		65	340	287	200	160	130	28	3	8-23	26
		80	380	301	210	170	140	30	3	8-23	37
100		430	346	250	200	168	32	3	8-25	55	

Deseen International

Cast steel valve and Stainless valve

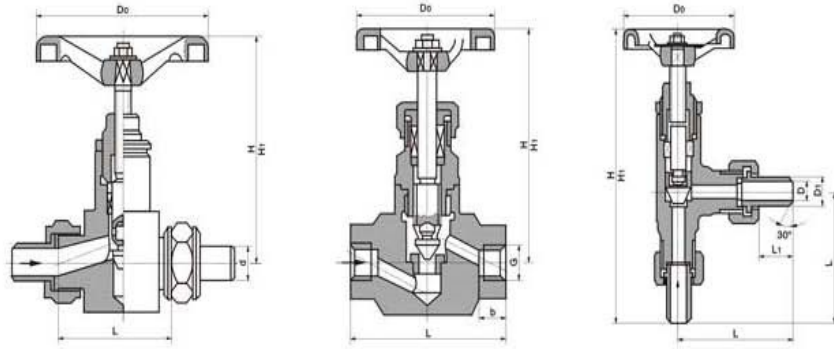


主要外形和连接尺寸 Main external and connection dimension 单位Unit: mm

公称通径 DN	主要外形尺寸和连接尺寸(mm) Main external and connecting dimensions					WT(Kg)
	L	D	D1	H	Do	
DS/J61H-25						
10	130	36	15	10	120	4.8
15	130	36	19	11	120	5.0
20	150	44	26	11	140	7.3
25	160	44	33	12	140	8.2
32	180	48	34	-	180	12
40	200	55	40	-	200	15
50	230	64	50	-	250	25
65	290	82	65	-	250	38.5
80	310	94	78	-	300	49
100	350	117	97	-	350	64
125	400	144	122	-	400	83
150	480	170	148	-	400	94
200	600	220	197	-	400	152
DS/J61H-40						
10	130	38	15	-	120	5.3
15	130	38	19	-	120	5.7
20	150	47	26	-	140	7.6
25	160	47	33	-	160	8.8
32	180	53	34	-	160	13.2
40	200	57	40	-	200	16.5
50	230	68	50	-	250	26
65	290	85	65	-	280	41.3
80	310	98	78	-	320	51.5
100	350	122	97	-	350	69
125	400	148	122	-	400	89
150	480	176	148	-	400	98
DS/J61H-64						
10	130	38	15	-	140	6
15	210	38	19	-	140	6.4
20	230	47	26	-	160	8.4
25	230	47	33	-	180	9.6
32	260	53	34	-	200	23
40	260	57	40	-	250	34
50	300	70	50	-	280	46
65	340	86	65	-	320	67
80	380	100	78	-	360	85
100	430	124	97	-	400	97

Deseen International

Cast steel valve and Stainless valve



产品性能规范 Chief property and specification

公称压力PN Nominal pressure	2.5	4.0	6.4	16	25	32	MPa
壳体试验压力Shell test pressure	3.75	6.0	9.6	24	37.5	48	MPa
高压密封试验压力High pressure seat test	2.75	4.4	7.04	17.6	27.5	35.2	MPa
低压气密封试验压力Low pressure seat test	0.5~0.7						
适用介质 Applicable medium	C, I 水、油品、蒸汽 Water, oil, steam			P 硝酸类 Nitric acid		R 醋酸类 Acetic acid	
适用温度 Applicable temperature	C P, R I			≤450℃	≤560℃	≤540℃	
PN	PN2.5(25)	PN4.0(40)	PN6.4(64)	PN16(160)	PN25(250)	PN32(320)	
型号 Type	J23W-25	J23W-40	J23W-64	J23W-60III	J23W-250	J23W-320	
	J23H-25	J23H-40	J23H-64	J23H-160	J23H-250	J23H-320I	
	J23W-25I	J23W-40P	J23W-64P	J23W-160P	J23H-250I	J23W-320P	
	J23H-25I	J23W-40R	J23W-64R	J23W-160R	J23H-250I	J23W-320P	
	J23W-25P	J23W-40R	J23W-64R	J23W-160R	J23W-250P	J23W-320R	
J23W-25R				J23W-250R			
DN	d	H	H1	L	D0		
6	12	112	122	62	65		
10	14	124	134	76	65		
15	22	145	160	90	100		
20	28	160	160	100	100		
25	34	185	210	105	100		

主要外形和连接尺寸 Main external and connection dimension

单位Unit: mm

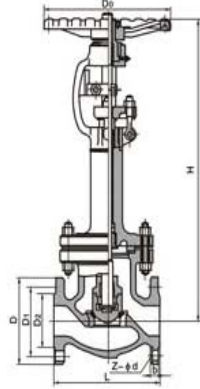
型号 Type	DN	G(in)	L	b	H1	H2	D0	
J13H-25	15	1/2	90	18	190	201	65	
	20	3/4	110	22	214	227	65	
J13H-40	25	1	130	26	235	250	80	
J13W-25P	32	5/4	160	27	267	283	100	
J13W-40P	40	3/2	190	30	305	327	120	
	50	2	220	35	328	353	140	
J13H-40	15	1/2	90	18	190	201	65	
J13H-160	20	3/4	110	22	214	227	65	
J13W-320	25	1	130	26	235	250	80	
J13W-40P	32	5/4	160	27	267	283	100	
J13W-160P	40	3/2	190	30	305	327	120	
J13W-320P	50	2	220	35	328	353	140	
型号 Type	DN	D	D1	L	L1	H	H1	D0
J24H-25	6	9	14	71	20	152	158	65
J24N-40	10	12	18	71	22	172	180	80
J24H-150	15	16	22	93	26	285	292	120
J24W-25P	20	22	28	107	31	335	345	140
J24W-160P	25	27	34	118	32	355	368	140

Deseen International

Cast steel valve and Stainless valve



J41/641/9B41Y-16-40C/P/R



主要外形和连接尺寸 Main external and connection dimension 单位Unit: mm

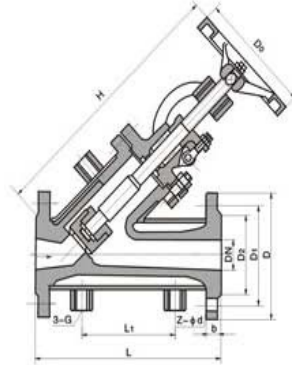
公称口径 DN	主要外形尺寸和连接尺寸(mm) Main external and connecting dimensions							H			WT (Kg)
	L	D	D ₁	D ₂	b	Z-φd	D ₀	-46℃	-101℃	-196℃	
DJ41Y-16C DJ41Y-16P DJ41Y-16R DJ641Y-16C DJ641Y-16P DJ641Y-16R DJ9B41Y-16C DJ9B41Y-16P DJ9B41Y-16R											
50	230	160	125	100	16	4-φ18	240	460	480	520	15
65	290	180	145	120	18	4-φ18	280	475	505	525	23
80	310	195	160	135	20	8-φ18	280	520	550	590	28
100	350	215	180	155	20	8-φ18	320	545	575	615	32
125	400	245	210	185	22	8-φ18	360	590	620	660	88
150	480	280	240	210	24	8-φ23	400	650	680	730	96
200	600	335	295	265	26	12-φ23	400	850	880	930	155
250	730	405	355	320	30	12-φ25	450	956	986	1036	425
300	850	460	410	375	30	12-φ25	500	1095	1125	1175	641
DJ41Y-25 DJ41Y-25P DJ41Y-16R DJ641Y-25C DJ641Y-25P DJ641Y-25R DJ9B41Y-25C DJ9B41Y-25P DJ9B41Y-25R											
50	230	160	125	100	20	4-φ18	240	460	480	520	16
65	290	180	145	120	22	8-φ18	280	475	505	525	23
80	310	195	160	135	22	8-φ18	280	520	550	590	29
100	350	230	190	160	24	8-φ23	320	545	575	615	32
125	400	270	220	188	28	8-φ25	360	590	620	660	90
150	480	300	250	218	30	8-φ25	400	650	680	730	98
200	600	360	310	278	34	12-φ25	400	850	880	930	159
250	730	425	370	332	36	12-φ30	450	956	986	1036	436
300	850	485	430	390	40	16-φ30	500	1095	1125	1175	657
DJ41Y-40 DJ41Y-40P DJ41Y-40R DJ641Y-40C DJ641Y-40P DJ641Y-40R DJ9B41Y-40C DJ9B41Y-40P DJ9B41Y-40R											
50	230	160	125	100	88	20	240	483	504	546	16
65	290	180	145	120	110	22	280	499	530	551	24
80	310	195	160	135	21	22	280	546	578	620	30
100	350	230	190	160	150	24	320	572	604	646	33
125	400	270	220	188	176	28	360	620	651	693	93
150	480	300	250	218	204	30	400	683	741	767	100
200	600	360	320	282	260	38	400	893	924	977	163
250	730	425	385	345	313	42	450	1004	1035	1088	447
300	850	485	450	408	364	46	500	1150	1181	1234	673

Deseen International

Cast steel valve and Stainless valve



BJ45H/Y-15-40P/R



主要外形和连接尺寸 Main external and connection dimension 单位Unit: mm

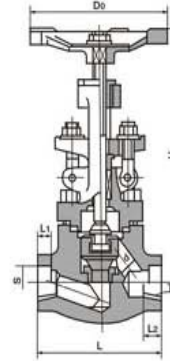
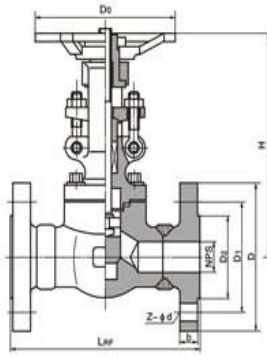
公称通径 DN	PN2.5/4.0MPa							G	H	D ₀	WT (Kg)
	L	L ₁	D	D ₁	D ₂	b	Z-φd				
	BJ45H-25		BJ45Y-25P		BJ45Y-25R		BJ45Y-25R3				
15	130	50	105	75	55	16	4-φ14	1/2"	210	120	15
20	150	60	115	85	65	16	4-φ14	1/2"	240	140	21
25	160	70	135	100	78	18	4-φ18	1/2"	250	160	25
32	180	80	145	110	85	18	4-φ18	1/2"	270	160	30
40	200	100	160	125	100	20	4-φ18	1/2"	310	160	36
50	230	110	180	145	120	22	8-φ18	3/4"	330	240	40
65	290	130	195	160	135	22	8-φ18	3/4"	360	240	54
80	310	150	230	190	160	24	8-φ23	3/4"	400	280	70
100	350	200	270	220	188	28	8-φ25	1"	480	320	100
125	400	210	300	250	218	30	8-φ25	1"	550	360	130
150	480	240	330	280	248	32	12-φ25	1"	620	300	170
200	600	300	395	340	302	36	12-φ30	1"	750	400	250
	BJ45H-40		BJ45Y-40P		BJ45Y-40R		BJ45Y-40R3				
15	130	50	105	75	55	16	4-φ14	1/2"	210	120	18
20	150	60	115	85	65	16	4-φ14	1/2"	240	140	21
25	160	70	135	100	78	18	4-φ18	1/2"	250	160	25
32	180	80	145	110	85	18	4-φ18	1/2"	270	160	33
40	200	100	160	125	100	20	4-φ18	1/2"	310	160	41
50	230	110	180	145	120	22	8-φ18	3/4"	330	240	45
65	290	130	195	160	135	22	8-φ18	3/4"	360	240	62
80	310	150	230	190	160	24	8-φ23	3/4"	400	280	80
100	350	200	270	220	188	28	8-φ25	1"	480	320	100
125	400	210	300	250	218	30	8-φ25	1"	550	360	130
150	480	240	350	295	258	34	12-φ30	1"	620	360	185
200	600	300	415	355	315	40	12-φ34	1"	750	400	168

Deseen International

Cast steel valve and Stainless valve



J41/11/61 H/Y-16-160CJ41H-25



主要外形和连接尺寸 Main external and connection dimension 单位Unit: mm

公称通径 DN	主要外形尺寸和连接尺寸(mm) Main external and connecting dimensions									WT (Kg)
	L	d	S	L ₁	T	L ₂	H	Do		
J41H-16 CJ41H-25 J41H-40 J11H-16 CJ11H-25 J11H-40 J61H-16C J61H-25 J61H-40										
15	90	13	22.5	10	1/2	15	159	98	6.9	
20	100	18	28.5	11	3/4	17	190	112	9.8	
25	120	23	34.5	12	1	19	208	126	13.5	
32	140	29	43	14	1 1/4	21	216	166	19.5	
40	170	36	49	15	1 1/2	21	247	188	28.5	
50	200	46	61	16	2	25	290	220	30.3	
J41H-64 J11H-64 J61H-64										
15	90	13	22.5	10	1/2	15	159	98	7.7	
20	100	18	28.5	11	3/4	17	190	112	11.3	
25	120	23	34.5	12	1	19	208	126	16.8	
32	140	29	43	14	1 1/4	21	216	166	21.2	
40	170	36	49	15	1 1/2	21	258	188	32.6	
50	210	46	61	16	2	25	405	220	35	

主要外形和连接尺寸 Main external and connection dimension 单位Unit: mm

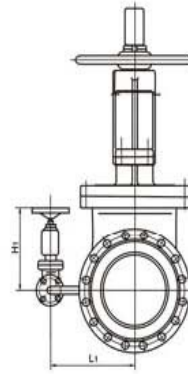
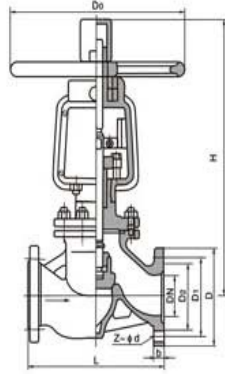
公称通径 DN	主要外形尺寸和连接尺寸(mm) Main external and connecting dimensions									WT (Kg)
	L	d	S	L ₁	T	L ₂	H	Do		
J41Y-100 J11Y-100 J61Y-100										
15	90	13	22.5	10	1/2	15	159	98	7.8	
20	100	18	28.5	11	3/4	17	190	112	12.5	
25	120	23	34.5	12	1	19	208	126	17.5	
32	140	29	43	14	1 1/4	21	216	166	23.5	
40	170	36	49	15	1 1/2	21	258	188	38.5	
50	210	46	61	16	2	25	405	220	42.2	
J41Y-160 J11Y-160 J61Y-160										
15	90	13	22.5	10	1/2	15	159	98	8.2	
20	100	18	28.5	11	3/4	17	190	112	13.8	
25	120	23	34.5	12	1	19	208	126	18.5	
32	140	29	43	14	1 1/4	21	216	188	25.5	
40	170	36	49	15	1 1/2	21	258	220	41.5	
50	210	46	61	16	2	25	405	220	49	

Deseen International

Cast steel valve and Stainless valve



YJ41H-25-40P/T



主要外形和连接尺寸 Main external and connection dimension 单位Unit: mm

公称通径 DN	主要外形尺寸和连接尺寸(mm) Main external and connecting dimensions										WT (Kg)
	L	D	D1	D2	b	Z-φd	D0	H	H1	L1	
	YJ41W-25P					YJ41W-25T					
15	130	95	65	45	16	4-φ14	100	190	-	-	5
20	150	105	75	55	16	4-φ14	100	213	-	-	6.5
25	160	115	85	65	16	4-φ14	125	236	-	-	7
32	190	135	100	78	18	4-φ18	180	312	-	-	13.5
40	200	145	110	85	18	4-φ18	160	328	-	-	16
50	230	160	125	100	20	4-φ18	320	450	-	-	32
65	290	180	145	120	22	8-φ18	360	530	-	-	46
80	310	195	160	135	22	8-φ18	400	560	-	-	60
100	350	230	190	160	24	8-φ23	450	618	-	-	80
125	400	270	220	188	28	8-φ25	450	675	-	-	107
150	480	300	250	218	30	8-φ25	560	743	-	-	134
200	600	360	310	278	34	12-φ25	640	850	-	-	268
250	650	425	370	332	36	12-φ30	720	975	340	380	449
300	750	485	430	390	40	16-φ30	800	1115	340	415	663
400	950	610	550	505	48	16-φ34	900	1380	340	465	1170

主要外形和连接尺寸 Main external and connection dimension 单位Unit: mm

公称通径 DN	主要外形尺寸和连接尺寸(mm) Main external and connecting dimensions										WT (Kg)	
	L	D	D1	D2	Ds	b	Z-φd	D0	H	H1		L1
	YJ41W-40P					YJ41W-40T						
15	130	95	65	45	40	16	4-φ14	100	202	-	-	5
20	150	105	75	55	51	16	4-φ14	100	225	-	-	6.5
25	160	115	85	65	58	16	4-φ14	125	236	-	-	7
32	190	135	100	78	66	18	4-φ18	180	312	-	-	13.5
40	200	145	110	85	76	18	4-φ18	160	328	-	-	16
50	230	160	125	100	88	20	4-φ18	320	450	-	-	32
65	290	180	145	120	110	22	8-φ18	360	530	-	-	45
80	310	195	160	135	121	22	8-φ18	400	560	-	-	60
100	350	230	190	160	150	24	8-φ23	450	618	-	-	80
125	400	270	220	188	176	28	8-φ25	450	675	-	-	105
150	480	300	250	218	204	30	8-φ25	560	743	-	-	134
200	600	375	320	282	260	38	12-φ30	640	850	-	-	266
250	650	445	385	345	313	42	12-φ34	720	975	340	380	491
300	750	510	450	408	364	46	16-φ34	800	1115	340	415	705
400	950	655	585	535	474	58	16-φ41	900	1425	340	465	1234

Deseen International

Cast steel valve and Stainless valve



产品结构特点 Product structural features

美标波纹管截止阀适用于公称压力 CLASS150-900LBS, 工作温度-29~350℃的石油、化工、制药、化肥、电力行业等各种工况的管路上, 切断或接通管路介质。

Stop valve with bellow seal acc. to ANSI is applicable to the cutting and connection of pipelines medium that are used in various industries such as petroleum, chemical industry, pharmacy, chemical fertilizer, electric power industry etc under nominal pressure of CLASS150-900LBS and working temperature of -29~350℃

其主要结构特点 Main structural features

1. 产品结构合理、密封可靠、性能优良、造型美观；
2. 密封面堆焊Co基硬质合金、耐磨、耐腐、抗摩擦性能好、使用寿命长；
3. 阀杆调质及表面氮化处理, 有良好的抗腐和抗摩擦性能；
4. 双重密封, 性能更可靠；
5. 阀杆升降位置指示, 更直观；
6. 零件材质, 法兰和对焊端尺寸可根据实际工况或用户要求合理选配, 满足各种工程需要。

- 1.This product has logical structure, reliable seal, excellent performance and nice design.
- 2.The seal surface is build-up welding with Co hard alloy, which is attrition-resistant, corrosion-resistant, has good friction resistant and long life.
- 3.The stem is quenched and tempered, and its surface is treated by nitriding treatment, thus it has good corrosion resistant and friction resistant.
- 4.It has double seal capability, thus is more reliable.
- 5.The stem may show the position of lift, thus it is clearer.
- 6.The part material, flange and butt weld end dimension may be selected according to current operating condition and users' requirement, so that meet the requirements of various engineering.

技术规范 Technical specification

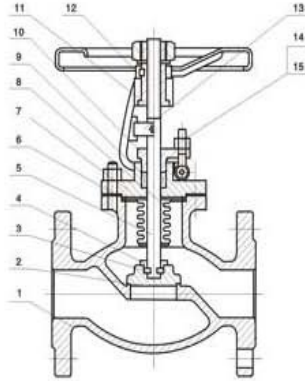
结构形式 Structural formation	BB-BG-OS & Y
驱动方式 Driving maner	手动 Hand-operated
	电动 Electric-actuated
设计标准 Design standard	AMSE B16.10, BS1873
结构长度 Face to face	ASME B16.10
连接法兰 Flange ends	ASME B16.5
试验和检验 Test & inspection	API 598

产品性能规范 Products performance specification

公称压力(LB) Nominal pressure	壳体试验压力(MPa) Shell test	密封试验压力(MPa) Sealing test	适用温度(℃) Suitable temp.	使用介质 Suitable madium
150	3.0	2.2	≤350℃	水、蒸气、油品等 Water oil & gas
300	7.5	5.5		
600	15.0	11.0		
900	22.5	16.5		

Deseen International

Cast steel valve and Stainless valve

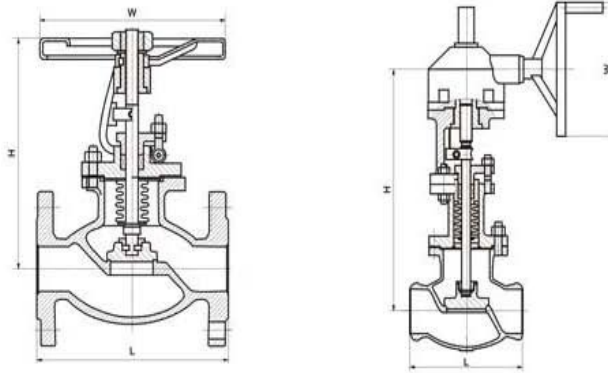


主要零件材质 Main parts materials

序号NO.	名称 Part name	材 质 Material
1	阀体 Body	ASTM A216-WCB ASTM A351-CF8, CF8M, CF3, CF3M
2	阀瓣 Disc	ASTM A182-Gr.F6a ASTM A182-F22 ASTM A182-F304, F316, F321, F304L, F316L
3	对开圆环 Split ring	ASTM A182-Gr.F6a ASTM A182-F22 ASTM A182-F304, F316, F321, F304L, F316L
4	阀瓣盖 Disc bushing	ASTM A182-Gr.F6a ASTM A182-F22 ASTM A182-F304, F316, F321, F304L, F316L
5	阀杆 Stem	ASTM A182-Gr.F6a ASTM A182-F22 ASTM A182-F304, F316, F321, F304L, F316L
6	垫片 Gasket	柔性石墨+不锈钢 Flexible Graphite+stainless steel, PTFE
7	阀盖 Bonnet	ASTM A216-WCB ASTM A351-CF8, CF8M, CF3, CF3M
8	波纹管组件 Bellow assemble	ASTM A182-F304, F316, F321, F304L, F316L
9	填料 Packing	柔性石墨 Flexible Graphite, PTFE
10	填料压盖 Gland	ASTM A216-WCB ASTM A351-CF8, CF8M, CF3, CF3M
11	阀杆螺母 Yoke nut	铜合金 ZQA19-4
12	手轮 Handwheel	ASTM A536 Gr.60-40-18, A216-WCB
13	定位片 Guiding piece	45, WCB, 304, 316, 304L, 316L
14	双头螺栓 Bolt	ASTM A193-B7, A193-B8, A193-B8M
15	六角螺母 Nut	ASTM A194-2H, A194-8, A194-8M

Deseen International

Cast steel valve and Stainless valve



主要外形和连接尺寸 Main external and connection dimension 单位Unit: mm

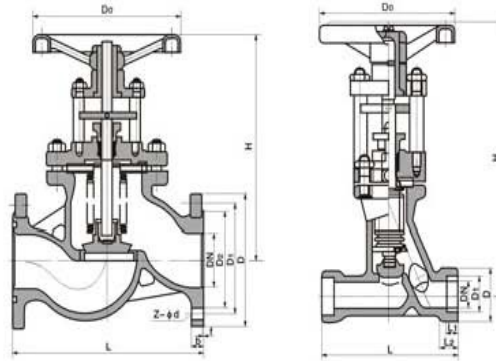
型号 Model		ZDAWJ41-150LB														
压力等级Pressure		150LB														
口径 Size	mm	15	20	25	32	40	50	65	80	100	125	150	200	250	300	350
	in	1/2	3/4	1	1 1/4	1 1/2	2	2 1/2	3	4	5	6	8	10	12	14
L		108	117	127	140	165	203	216	241	292	356	406	495	622	698	787
H		241	241	241	280	286	368	387	400	457	520	609	698	762	876	990
W		120	140	140	180	200	220	260	280	300	320	340	400	450	450	450
重量(Kg)Weight		4	5	6	10	13	18	30	35	55	75	104	200	300	390	610
型号 Model		ZDAWJ41-300LB														
压力等级Pressure		300LB														
口径 Size	mm	15	20	25	32	40	50	65	80	100	125	150	200	250	300	350
	in	1/2	3/4	1	1 1/4	1 1/2	2	2 1/2	3	4	5	6	8	10	12	14
L		152	178	203	215	229	267	292	318	356	400	444	559	622	711	762
H		241	241	283	320	322	399	438	450	584	610	660	762	850	1085	1187
W		120	140	140	180	200	220	260	280	300	320	340	400	450	450	450
重量(Kg)Weight		6	7	10	15	20	25	30	52	88	115	160	259	420	595	876
型号 Model		ZDAWJ41-600LB														
压力等级Pressure		600LB														
口径 Size	mm	15	20	25	32	40	50	65	80	100	125	150	200	250	300	350
	in	1/2	3/4	1	1 1/4	1 1/2	2	2 1/2	3	4	5	6	8	10	12	14
L		165	190	216	229	241	292	330	356	432	508	559	660	787	838	889
H		240	280	320	320	390	430	480	508	635	750	914	1016	1219	1330	1560
W		140	140	160	160	180	180	250	250	350	400	450	500	600	720	760
重量(Kg)Weight		7	10	16	22	29	35	50	90	150	230	300	510	850	1120	1400
型号 Model		ZDAWJ41-900LB														
压力等级Pressure		900LB														
口径 Size	mm	15	20	25	32	40	50	65	80	100	125	150	200	250	300	350
	in	1/2	3/4	1	1 1/4	1 1/2	2	2 1/2	3	4	5	6	8	10	12	14
L		229	229	254	279	305	368	419	381	457	559	610	737	838	965	1029
H		280	330	350	430	508	569	430	635	774	860	1040	1330	1560	1650	1780
W		160	160	180	180	250	250	320	350	450	550	600	720	760	820	890
重量(Kg)Weight		10	16	23	37	49	65	75	120	200	350	410	790	1300	1500	1800

Deseen International

Cast steel valve and Stainless valve



WJ61/41 H/W-16-40C/P



主要外形和连接尺寸 Main external and connection dimension

单位Unit: mm

公称通径 DN	主要外形尺寸和连接尺寸(mm) Main external and connecting dimensions							WT(Kg)
	L	D	D ₁	L ₁	L ₂	H	D ₀	
	WJ61H-16C		WJ61H-25		WJ61H-40		WJ61W-16P WJ61W-25P WJ61W-40P	
15	110	34	22.5	10	18	214	22.5	1.9
20	130	40	28.5	11	18	242	28.5	2.3
25	140	48	34.5	12	20	245	34.5	3.4
32	160	56	43	14	22	296	43	5.2
40	180	64	49	15	25	337	49	7.3
50	230	85	61	18	28	342	61	10

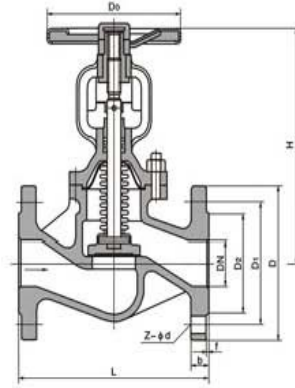
公称通径 DN	主要外形尺寸和连接尺寸(mm) Main external and connecting dimensions									
	L	D	D ₁	D ₂	b	f	Z-φd	H	D ₀	WT(Kg)
	WJ41H-16C					WJ41W-16P				
15	130	95	65	47	14	2	4-φ13.5	202	120	5
20	150	105	75	58	14	2	4-φ13.5	231	140	7
25	160	115	85	68	14	2	4-φ13.5	231	140	9
32	180	140	100	78	16	2	4-φ17.5	286	160	12
40	200	150	110	88	16	3	4-φ17.5	317	200	16
50	230	165	125	102	16	3	4-φ17.5	317	200	19
65	290	185	145	122	18	3	8-φ17.5	331	240	23
80	310	200	160	123	20	3	8-φ17.5	402	240	30
100	350	220	180	158	20	3	8-φ17.5	416	320	42
125	400	250	210	184	22	3	8-φ17.5	467	360	63
150	480	285	240	212	24	3	8-φ22	525	360	90
200	600	340	295	268	26	3	12-φ22	611	500	150
	WJ41H-25					WJ41W-25P				
15	130	95	65	47	16	2	4-φ13.5	202	120	5
20	150	105	75	58	16	2	4-φ13.5	231	160	7
25	160	115	85	68	16	2	4-φ13.5	231	160	9
32	180	140	100	78	18	2	4-φ17.5	286	160	12
40	200	150	110	88	18	3	4-φ17.5	317	200	19
50	230	165	125	102	20	3	4-φ17.5	317	200	24
65	290	185	145	122	22	3	8-φ17.5	331	280	33
80	310	200	160	133	22	3	8-φ17.5	402	280	44
100	350	235	190	158	24	3	8-φ22	416	320	60
125	400	270	220	184	28	3	8-φ26	467	360	72
150	480	300	250	212	30	3	8-φ26	525	360	98
200	600	360	310	278	30	3	12-φ27	611	500	169
	WJ41H-40					WJ41W-40P				
15	130	95	65	47	16	2	4-φ13.5	202	120	5
20	150	105	75	58	16	2	4-φ13.5	228	160	7
25	160	115	85	68	16	2	4-φ13.5	228	160	9
32	180	140	100	78	18	2	4-φ17.5	274	160	12
40	200	150	110	88	20	3	4-φ17.5	345	200	16
50	230	165	125	102	22	3	4-φ17.5	396	200	23
65	290	185	145	122	22	3	8-φ17.5	399	280	33
80	310	200	160	133	24	3	8-φ17.5	405	280	43
100	350	235	190	158	28	3	8-φ22	460	320	69

Deseen International

Cast steel valve and Stainless valve



DIN/WJ41H-16-40C/P



主要外形和连接尺寸 Main external and connection dimension 单位Unit: mm

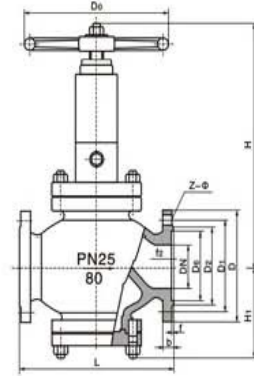
公称直径 DN	主要外形尺寸和连接尺寸(mm) Main external and connecting dimensions											WT(Kg)
	L	D	D ₁	D ₂	b	f	Z-φd	H	H ₁	D ₀		
DIN/WJ41H-16C DIN/WJ41W-16P												
15	130	95	65	45	16	2	4-φ14	191	197	120	5	
20	150	105	75	58	18	2	4-φ14	191	197	140	7	
25	160	115	85	68	18	2	4-φ14	197	205	140	9	
32	180	140	100	78	18	2	4-φ18	200	208	160	12	
40	200	150	110	88	18	3	4-φ18	218	231	200	16	
50	230	165	125	102	20	3	4-φ18	220	233	200	19	
65	290	185	145	122	18	3	4-φ18	238	254	240	23	
80	310	200	160	138	20	3	8-φ18	257	277	240	30	
100	350	220	180	158	20	3	8-φ18	340	365	320	42	
125	400	250	210	188	22	3	8-φ18	360	392	360	63	
150	480	285	240	212	22	3	8-φ22	390	420	360	90	
200	600	340	295	268	24	3	12-φ22	530	580	500	150	
DIN/WJ41H-25 DIN/WJ41W-25P												
15	130	95	65	45	16	2	4-φ14	191	197	120	5	
20	150	105	75	58	18	2	4-φ14	191	197	160	7	
25	160	115	85	68	18	2	4-φ14	197	205	160	9	
32	180	140	100	78	18	2	4-φ18	200	208	160	12	
40	200	150	110	88	18	3	4-φ18	218	231	200	19	
50	230	165	125	102	20	3	4-φ18	220	233	200	24	
65	290	185	145	122	22	3	8-φ18	238	254	280	33	
80	310	200	160	138	24	3	8-φ18	257	277	280	44	
100	350	235	220	162	24	3	8-φ22	340	365	320	60	
125	400	270	250	188	26	3	8-φ26	360	392	360	72	
150	480	300	295	218	28	3	8-φ26	390	430	360	98	
200	600	360	310	278	30	3	12-φ26	530	580	500	169	
DIN/WJ41H-40 DIN/WJ41W-40P												
15	130	95	65	45	16	2	4-φ14	191	197	120	5	
20	150	105	75	58	18	2	4-φ14	191	197	160	7	
25	160	115	85	68	18	2	4-φ14	197	205	160	9	
32	180	140	100	78	18	2	4-φ18	200	208	160	12	
40	200	150	110	88	18	3	4-φ18	218	231	200	16	
50	230	165	125	102	20	3	4-φ18	220	233	200	23	
65	290	185	145	122	22	3	8-φ18	238	254	280	33	
80	310	200	160	138	24	3	8-φ18	257	277	280	45	
100	350	235	220	162	24	3	8-φ22	340	365	320	69	
125	400	270	250	188	26	3	8-φ26	360	392	360	98	
150	480	300	295	218	28	3	8-φ26	390	430	360	170	

Deseen International

Cast steel valve and Stainless valve



FJ41, FJL41, CJ41-1.6-16.0



主要外形和连接尺寸 Main external and connection dimension 单位Unit: mm

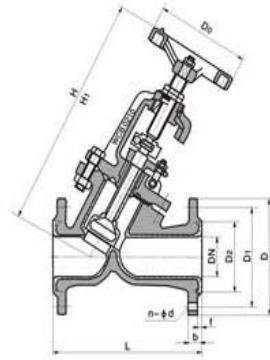
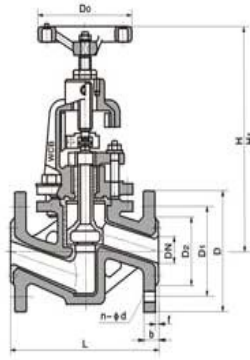
公称压力 PN	DN(mm)	主要外形尺寸和连接尺寸(mm) Main external and connecting dimensions							
		25	40	50	80	100	150	200	250
1.6MPa	L	216	230	230	310	350	480	600	730
	H	243	265	346	409	484	521	594	621
	H1	86	108	115	146	163	202	292	355
	Do	180	250	250	300	300	350	350	400
	WT(Kg)	17	24	27	52	60	125	165	285
2.5MPa	L	216	230	230	310	350	480	600	730
	H	243	265	346	409	433	521	594	621
	H1	86	108	115	146	163	202	292	355
	Do	180	250	250	300	300	350	350	400
	WT(Kg)	17	24	27	55	66	140	180	310
4.0MPa	L	216	230	230	310	350	480	600	730
	H	243	265	346	409	433	521	594	621
	H1	86	108	115	146	163	202	292	355
	Do	180	250	250	300	300	350	350	400
	WT(Kg)	20	29	32	67	80	168	215	372
6.4MPa	L	216	230	230	310	350	480	600	730
	H	243	265	346	409	433	521	594	621
	H1	86	108	115	146	163	202	292	355
	Do	180	250	250	300	300	350	350	400
	WT(Kg)	20	29	32	67	80	168	315	372
10.0MPa	L	230	260	300	380	430	559	660	787
	H	245	265	287	409	433	531	709	817
	H1	78	106	110	152	169	225	321	399
	Do	200	250	300	350	250	400	500	500
	WT(Kg)	29	42	55	95	120	240	310	530
16.0MPa	L	230	260	300	390	450			
	H	215	265	237	414	440			
	H1	78	105	110	155	175			
	Do	200	250	300	350	350			
	WT(Kg)	35	50	65	116	145			

Deseen International

Cast steel valve and Stainless valve



Jc41Fx Jc45Fx



产品执行标准 Production enforce standard

设计规范 Design Spec.	结构长度 Face to Face	连接法兰 Flange End	试验与检验 Test & Check	产品标识 Marking	供货规范 Supply
GB/T 12233 (GB/T 12235)	GB/T 12221	JB/T 78; JB/T 79	GB/T 13927	GB/T 12220	JB/T 7928

产品性能规范 Chief property and specification

衬里/阀座 Lining/seat	代号 Code	适用温度℃ Suitable Temperature℃	适用介质 Suitable medium
PTFE(F4)	F4	≤180	除熔融碱金属，元素氟外的各种浓度的酸、碱、盐、王水、有机酸等强腐蚀性介质。 All kinds of acid, alkali, salt, aqua regia, organic acid etc strong corrosive medium except molten alkali metals and element fluorine.
PCTFE(F3)	F3	≤120	
FEP(F46)	F46	≤150	
PFA(可溶性F4)	FA	≤180	
PVDF(F2)	F2	≤100	
RPTFE(RF4)	FR4	≤180	

主要零件材料 Material for main parts

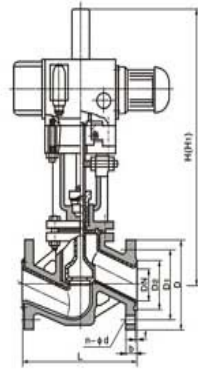
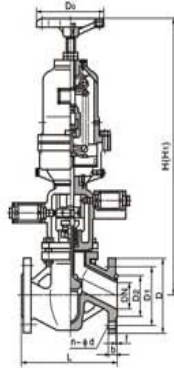
零件名称 Part Name	灰铸铁 Gray cast iron	铸钢 cast steel	不锈钢/铸钢 stainless acid resistant cast steel		超低碳不锈钢/铸钢 Super-low -stainless acid resistant cast steel	
	Z	C	P	R	PL	RL
阀体/阀盖 Body/Cover	HT250	WCB	CF8	CF8M	CF3	CF3M
阀瓣/阀杆 Disc/stem	35	2Cr13	1Cr18Ni9	1Cr18Ni12Mo2Ti	00Cr18Ni10	00Cr17Ni14Mo2
衬里/阀座 Lining/seat	PTFE(F4), PCTFE(F3), FEP(F46), PFA(可溶性F4)					
填料压盖 Packing cover	WCB		CF8	CF8M	CF3	CF3M
填料 Packing	PTFE(F4)		PTFE(F4)		PTFE(F4)	
活节螺栓 Eyelet bolt	35		1Cr17Ni2		1Cr17Ni2	
阀杆螺母 Stem nut	ZCuAl10Fe3		ZCuAl10Fe3		ZCuAl10Fe3	
紧固螺栓 Clamp bolt	35		1Cr17Ni2		1Cr18Ni9Ti	
螺母 Nut	45		0Cr18Ni9		0Cr18Ni9	
手轮 Hand wheel	WCB		WCB		WCB	

Deseen International

Cast steel valve and Stainless valve



J641F46 J66C41Fx J6941Fx



主要外形和连接尺寸 Main external and connection dimension

单位Unit: mm

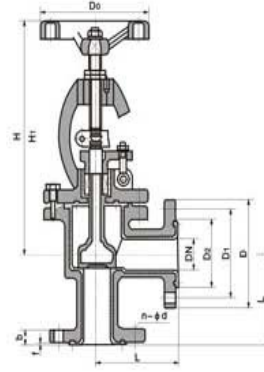
DN (mm)	NPS (inch)	L	D	D1	D2	f	b	n-φd	D0	H	H1	WT(Kg)
PN 1.0MPa												
15	1/2	130	95	65	45	2	14	4-φ14	100	235	260	6.5
20	3/4	150	105	75	55	2	16	4-φ14	100	240	265	7
25	1	160	115	85	65	2	16	4-φ14	120	245	270	7.8
32	1 1/4	180	135	100	78	2	18	4-φ18	140	255	285	11
40	1 1/2	200	145	110	85	3	18	4-φ18	140	285	315	13
50	2	230	160	125	100	3	20	4-φ18	160	295	330	15
65	2 1/2	290	180	145	120	3	20	4-φ18	180	350	395	23
80	3	310	195	160	135	3	22	4-φ18	240	395	445	38
100	4	350	215	180	155	3	22	8-φ18	240	450	490	42
125	5	400	245	210	185	3	24	8-φ18	280	525	555	55
150	6	480	280	240	210	3	24	8-φ23	320	605	645	77
200	8	495	335	295	265	3	26	8-φ23	360	645	765	135
250	10	622	390	350	320	3	28	12-φ23	400	685	805	220
300	12	698	440	400	368	4	28	12-φ23	400	710	814	277
350	14	787	500	460	428	4	30	16-φ23	450	750	855	320
PN 1.6MPa												
15	1/2	130	95	65	45	2	14	4-φ14	100	240	265	7
20	3/4	150	105	75	55	2	16	4-φ14	100	245	270	7.6
25	1	160	115	85	65	2	16	4-φ14	120	250	275	8.2
32	1 1/4	180	135	100	78	2	18	4-φ18	140	260	290	12
40	1 1/2	200	145	110	85	3	18	4-φ18	140	285	320	14
50	2	230	160	125	100	3	20	4-φ18	160	300	335	18
65	2 1/2	290	180	145	120	3	20	4-φ18	180	355	400	26
80	3	310	195	160	135	3	22	8-φ18	240	400	450	40
100	4	350	215	180	155	3	24	8-φ18	240	455	495	50
125	5	400	245	210	185	3	26	8-φ18	280	530	560	65
150	6	480	280	240	210	3	28	8-φ23	320	610	650	85
200	8	495	335	295	265	3	30	12-φ23	360	650	770	150
250	10	622	405	355	320	3	32	12-φ25	400	690	810	245
300	12	698	460	410	375	4	34	12-φ25	400	730	845	295
PN 2.5MPa												
15	1/2	130	95	65	45	2	16	4-φ14	120	240	265	7.5
20	3/4	150	105	75	55	2	16	4-φ14	120	245	270	8
25	1	160	115	85	65	2	16	4-φ14	140	250	275	9
32	1 1/4	180	135	100	78	2	18	4-φ18	160	260	290	13
40	1 1/2	200	145	110	85	3	18	4-φ18	180	285	320	15
50	2	230	160	125	100	3	20	4-φ18	180	300	335	20
65	2 1/2	290	180	145	120	3	22	8-φ18	240	355	400	28
80	3	310	195	160	135	3	22	8-φ18	280	400	450	42
100	4	350	230	190	160	3	24	8-φ23	320	455	495	57
125	5	400	270	220	188	3	28	8-φ25	320	530	560	71
150	6	480	300	250	218	3	30	8-φ25	360	610	650	90

Deseen International

Cast steel valve and Stainless valve



J44F46 JG44FX



产品执行标准 Production enforce standard

设计规范 Design Spec.	结构长度 Face to Face	连接法兰 Flange End	试验与检验 Test & Check	产品标识 Marking	供货规范 Supply
GB/T 12233 (GB/T 12235)	GB/T 12221	JB/T 78 JB/T 79	GB/T 13927	GB/T 12220	JB/T 7928

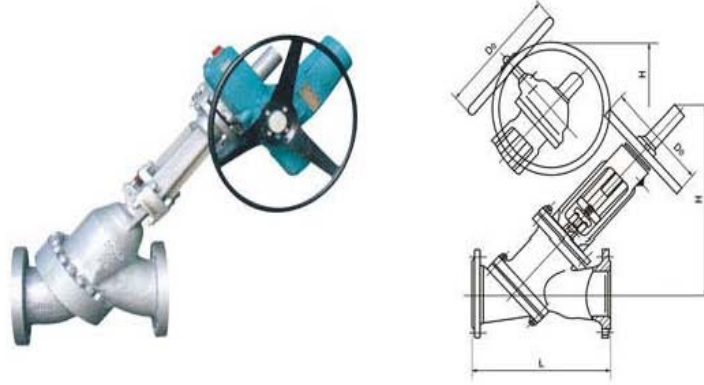
主要外形和连接尺寸 Main external and connection dimension

单位Unit: mm

DN (mm)	NPS (inch)	L	D	D ₁	D ₂	f	b	n-φd	D ₀	H	H ₁	WT(Kg)
PN 1.0MPa												
15	1/2	90	95	65	45	2	14	4-φ14	100	240	265	7
20	3/4	95	105	75	55	2	16	4-φ14	100	245	270	7.5
25	1	100	115	85	65	2	16	4-φ14	120	250	275	8
32	1 1/4	105	135	100	78	2	18	4-φ18	120	260	290	12
40	1 1/2	115	145	110	85	3	18	4-φ18	140	290	325	14
50	2	125	160	125	100	3	20	4-φ18	140	300	335	19
65	2 1/2	145	180	145	120	3	20	4-φ18	160	355	400	27
80	3	155	195	160	135	3	22	4-φ18	160	400	450	42
100	4	175	215	180	155	3	22	8-φ18	180	455	495	50
125	5	200	245	210	185	3	24	8-φ18	180	530	560	64
150	6	225	280	240	210	3	24	8-φ23	240	605	650	85
200	8	275	335	295	265	3	26	8-φ23	240	650	770	105
250	10	325	390	350	320	3	28	12-φ23	280	680	800	135
300	12	375	440	400	368	4	28	12-φ23	280	710	835	155
PN 1.6MPa												
15	1/2	90	95	65	45	2	14	4-φ14	100	240	265	7
20	3/4	95	105	75	55	2	16	4-φ14	100	245	270	7.5
25	1	100	115	85	65	2	16	4-φ14	120	250	275	8.8
32	1 1/4	105	135	100	78	2	18	4-φ18	140	260	290	12
40	1 1/2	115	145	110	85	3	18	4-φ18	140	290	325	14
50	2	125	160	125	100	3	20	4-φ18	160	300	335	19
65	2 1/2	145	180	145	120	3	20	4-φ18	180	355	400	27
80	3	155	195	160	135	3	22	8-φ18	240	400	450	42
100	4	175	215	180	155	3	24	8-φ18	240	455	495	50
125	5	200	245	210	185	3	26	8-φ18	280	530	560	64
150	6	225	280	240	210	3	28	8-φ23	320	605	650	85
200	8	275	335	295	265	3	30	8-φ23	360	650	770	155
PN 2.5MPa												
15	1/2	90	95	65	45	2	16	4-φ14	120	245	270	7.5
20	3/4	95	105	75	55	2	16	4-φ14	120	250	275	8.5
25	1	100	115	85	65	2	16	4-φ14	140	260	290	11
32	1 1/4	105	135	100	78	2	18	4-φ18	140	290	325	13
40	1 1/2	115	145	110	85	3	18	4-φ18	160	300	335	18
50	2	125	160	125	100	3	20	4-φ18	180	355	400	31

Deseen International

Cast steel valve and Stainless valve



性能规范 Property Specification

1. 设计制造按: ASME B16.34(Class 150为缩径设计)、BS1873
Design and production according to ASME B16.34(reduced bore design about the products of Class 150)、BS1873
2. 法兰端尺寸按: ASME B16.5、GB/T9113.6
The sizes of flange ends according to ASME B16.5、GB/T9113.6
3. 检验标准: API 598
Inspecting standard: API 598

主要外形和连接尺寸 Main external and connection dimension

单位Unit: mm

型号 Type	公称压力 PN Nominal pressure	尺寸 Dimension (mm)								
		DN	50	100	125	150	150△	200	250	300
JJ45Y-16C JJ545Y-16C	1.6	L	230	350	400	480	480	600	730	850
		H	320	464	510	710	595	810	920	1120
		Do	240	280	320	360	360	500	500	600
		重量WT(kg)	36	66	900	105	105	185	305	420
JJ45Y-25 JJ545Y-25	2.5	L	230	350	400	480	480	600	730	850
		H	320	464	510	710	595	810	92	1120
		Do	240	280	320	360	360	500	500	600
		重量WT(kg)	38	69	95	114	114	195	315	435
JJ45Y-40 JJ545Y-40	4.0	L	230	350	400	480	480	600	730	850
		H	32	464	510	710	595	810	920	1120
		Do	240	280	320	360	360	500	500	600
		重量WT(kg)	42	70	95	114	114	195	315	435
JJ45Y-64 JJ545Y-64	6.4	L	380	430	500	550	550	650	775	900
		H	350	490	550	750	635	860	980	1120
		Do	360	400	400	500	500	600	680	800
		重量WT(kg)	47	75	105	124	124	210	335	460

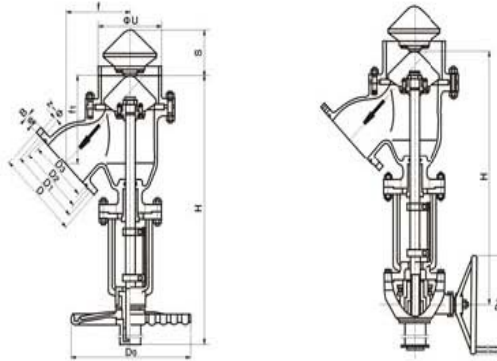
注: DN200/PN16、DN150/PN25、DN150/PN40和DN100/PN64以上为锥齿轮传动。

Deseen International

Cast steel valve and Stainless valve



Class150/Class300 WFG45Y, WFG545Y, WFG945Y



性能规范 Property Specification

1. 设计制造按: ASME B16.34(Class 150为缩径设计)
Design and production according to ASME B16.34(reduced bore design about the products of Class 150)
2. 结构长度按: ASME B16.10
The sizes of flange ends according to ASME B16.10
3. 检验标准: API 598
Inspecting standard: API 598
4. 法兰尺寸按: GB/T9113

主要外形和连接尺寸 Main external and connection dimension Class 150(PN2.0MPa) 单位Unit: mm

规格 Size DN(mm) NPS(in)	驱动方式 Drive the way	f	f ₁	D	D ₁	D ₂	B	Z-φ	e	D ₀	H	S	φu	驱动装置* Drive the device*
50	2" 手动Hand	120	162	150	120.5	92	16	4-20	2	250	450	60	63.5	-
80	3" 手动Hand	150	200	190	152.5	127	19.5	4-20	2	250	520	80	89	-
100	4" 手动Hand	170	235	230	190.5	157	24	8-20	2	250	632	80	114	-
125	5" 手动Hand	200	275	255	216	186	24	8-22	2	320	750	100	140	-
150	6" 手动Hand	225	295	280	241.5	216	25.5	8-22	2	360	925	120	159	-
200	8" 齿动	290	350	345	298.5	270	29	8-22	2	450	1145	170	219	BA-1
250	10" 齿动	355	390	405	362	324	30.5	12-26	2	500	1320	200	273	BA-1
300	12" 齿动	420	450	485	432	381	32	12-26	2	550	1450	230	325	BA-1
350	14" 齿动	480	515	535	476	413	35	12-30	2	600	1600	260	356	BA-1

注: *驱动装置可根据用户要求选用。 Note:* driving the device can choose to use according to the customer request.

主要外形和连接尺寸 Main external and connection dimension Class 300(PN5.0MPa) 单位Unit: mm

规格 Size DN(mm) NPS(in)	驱动方式 Drive the way	f	f ₁	D	D ₁	D ₂	D ₃	B	Z-φ	e	D ₀	H	S	φu	驱动装置* Drive the device*
50	2" 手动Hand	120	162	165	127	108	82.55	22.5	8-20	8	305	465	60	63.5	-
80	3" 手动Hand	150	200	210	168.5	146	123.82	29	8-22	8	400	580	80	89	-
100	4" 手动Hand	170	235	255	200	175	149.22	32	8-22	8	500	690	80	114	-
125	5" 手动Hand	200	275	280	235	210	180.98	35	8-22	8	500	860	100	140	-
150	6" 齿动	225	295	320	270	241	211.12	37	12-22	8	550	1100	120	159	BA-2
200	8" 齿动	290	350	380	330	302	269.88	41.5	12-26	8	600	1240	220	219	BA-2
250	10" 齿动	355	390	445	387.5	356	323.85	48	16-30	8	700	1350	275	273	BA-2

注: *驱动装置可根据用户要求选用。 Note:* driving the device can choose to use according to the customer request.